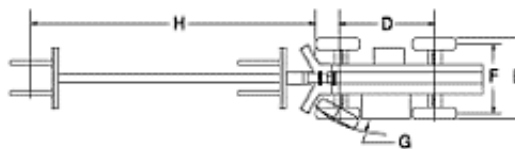
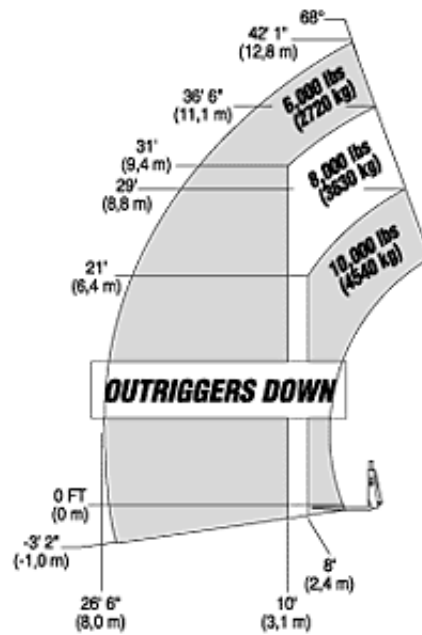
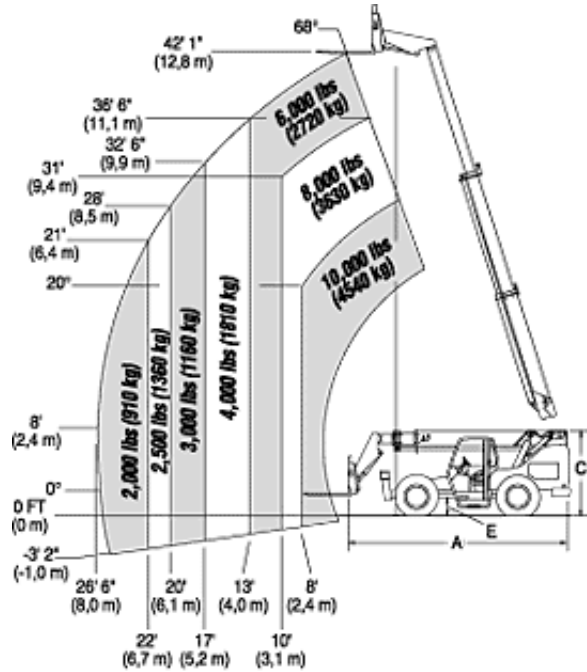


**Model Info | Load Charts**

Load ratings are in compliance with ASME B56.6b - 1992 stability requirements for rough terrain forklifts. Cab meets ASME B56.6-1992 ROPS/FOPS requirements.



<b>Dimensions</b>	
A. Length (less forks)	225.2" (5720 mm)
B. Width	102.0" (2590 mm)
C. Height	100.1" (2543 mm)
D. Wheelbase	119.5" (3035 mm)
E. Ground clearance	18" (457 mm)
F. Tread	84.2" (2139 mm)
G. Turning clearance	13' 8" (4,2 m)
H. Max reach from front tires to 24" (609 mm) load center	26' 6" (8,1 m)