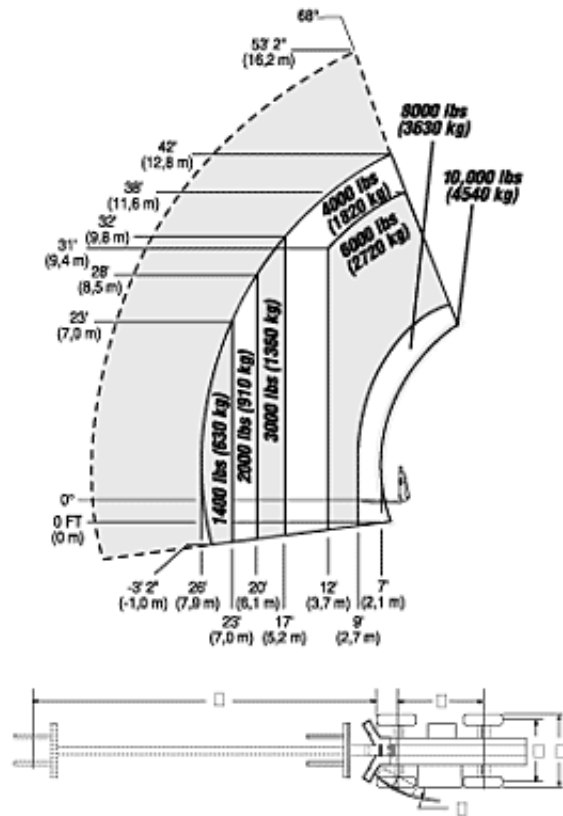
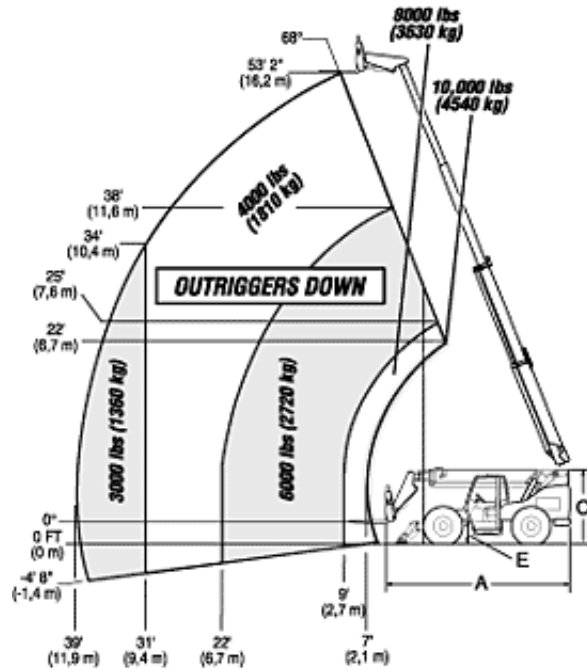


Model Info | Load Charts

Load ratings are in compliance with ASME B56.6b - 1992 stability requirements for rough terrain forklifts. Cab meets ASME B56.6-1992 ROPS/FOPS requirements.



Dimensions	
A. Length (less forks)	238.8" (6066 mm)
B. Width	102" (2591 mm)
C. Height	100.1" (2543 mm)
D. Wheelbase	119.5" (3035 mm)
E. Ground clearance @ axle	18" (457 mm)
F. Tread	84.3" (2141 mm)
G. Turning clearance	13'8" (4,2 m)
H. Max reach from front tires to 24" (609 mm) load center	38'9" (11,9 m)