

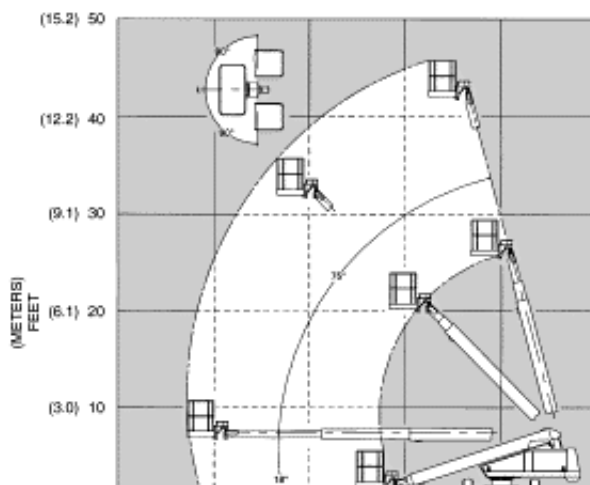
Standard Equipment

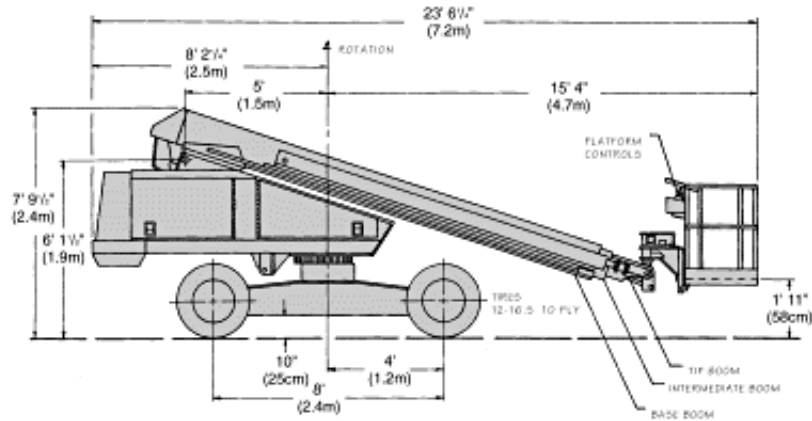
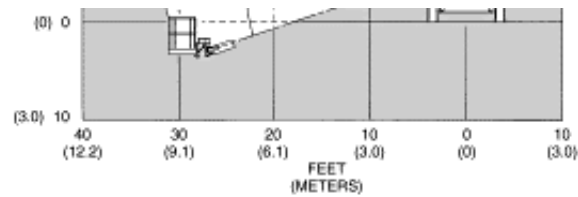
- Fully proportional ramp-on controls for boom lift, swing, and drive
- Automatic braking
- 180 degrees hydraulic platform rotation
- 12 volt battery operated emergency power
- Manual bleed down valve
- Driveable at full height
- 5 degrees tilt alarm
- 125 volt GFCI AC outlet at platform
- Aluminum telescoping booms
- Hour meter and ammeter
- Engine anti-restart control
- Hydraulic oil level and temperature gauges
- High engine temperature and low oil pressure shut-down system
- 60 month warranty

Specifications

	TB 42	TB 420
Working Height		48' (14.6 m)
Platform:		
• Height		42' (12.8 m)
• Capacity	500 lbs (227 kg)	700 lbs (318 kg)
• Size	60" x 30" (152 x 76 cm)	
• Construction	Steel	High strength aluminum
Boom Construction:		
• Base Boom	Steel	
• Telescoping Booms	High strength aluminum	
Boom Extension	Double acting hydraulic cylinder and dual wire rope cables	

Boom Guides	Lubrication free, ultra high molecular weight polyethylene	
Pivot Pin Bearings	Lubrication free, composite material	
Horizontal Reach	33' (10.1 m)	
Elevation	+75 degrees / -18 degrees	
Hose & Wiring Extension	Telescoping housing attached to sides of booms	
Turntable Rotation	360 degrees non continuous	
Power Source	Gas (LP or Dual Fuel optional) or Diesel engine	
Fuel Capacity	20 US gal (75.7 L)	
Hydraulic System Capacity	25 US gal (94.6 L)	
Drive Speeds:		
Booms Stowed	3 mph (4.8 kph)	
Booms Elevated	1 mph (1.6 kph)	
Gradeability	25%	
Turning Radius:		
Inside	5'2" (1.6 m)	
Height (stowed)	7'9 1/2" (2.4 m)	
Width	7'11 1/2" (2.4 m)	
Length (stowed)	23'6 1/4" (7.2 m)	
Wheelbase	8' (2.4 m)	
Tires	12" x 16.5"	
Type	10 ply rating	
Weight (approx.)	10,500 lbs (4,763 kg)	11,150 lbs (5,058 kg)





Optional Equipment

- Operator horn
- Platform control box cover
- Platform work lights
- Flashing light on boom
- Swinging gate
- Sandblast protection kit
- Driving lights
- Dual fuel or LP gas only
- Spark arrestor muffler
- Cold weather start kit
- AC Generator (Hydraulic powered)
- Drive motion alarm
- Foam filled tires
- Tow kit
- Four wheel drive
- Platform options
 - TB 42
 - 92" x 30" (234 x 76 cm) Alum.
 - 92" x 30" (234 x 76 cm) Steel
 - TB 420
 - 92" x 30" (234 x 76 cm) Alum.
 - (Capacity 650 lbs. , 295 kg)

DANGER: Models described on this page are NON-INSULATED and do not provide electrocution protection from contact with or close proximity to energized conductors which is pointed out on decals and placards attached to the machine.

Only qualified and trained operators are to be authorized to use and operate a work platform.

Aerial work platforms must be elevated only on firm, level surface.

Products in this page comply with applicable ANSI Standards. This page is for illustrative purposes only. Consult Operating/Maintenance and Parts Manuals for proper procedures. Specifications may vary and are subject to change without notice or obligation.

[\[TB42/TB420\]](#)

[\[Specifications Sheet\]](#)



Copyright (C) 1998 Snorkel, All Rights Reserved.
Web Site Developed by [Digital Lagoon](#).