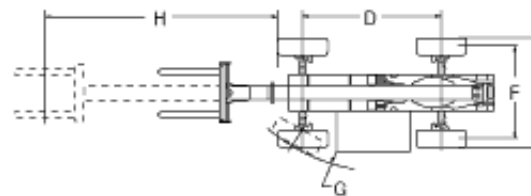
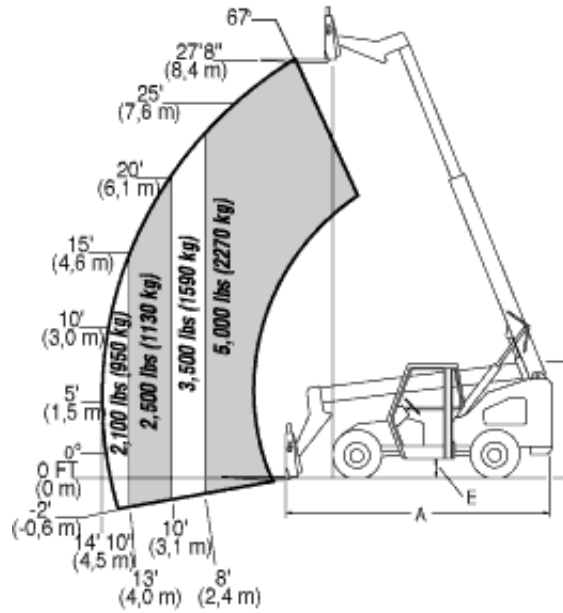


Model Info | Load Charts

Load ratings are in compliance with ASME B56.6b - 1998 stability requirements for rough terrain forklifts. Cab meets ASME B56.6-1992 FOPS requirements.



| Dimensions | |
|--|------------------|
| A. Length (less forks) | 207.5" (5270 mm) |
| B. Width | 92.75" (2356 mm) |
| C. Height | 92.5" (2350 mm) |
| D. Wheelbase | 110" (2794 mm) |
| E. Ground clearance @ axle | 13.5" (343 mm) |
| F. Tread | 74.25" (1886 mm) |
| G. Turning clearance | 13' 10" (4,2 m) |
| H. Max reach height from front tires to 24" (609 mm) load center | 14' 10" (4,5 m) |