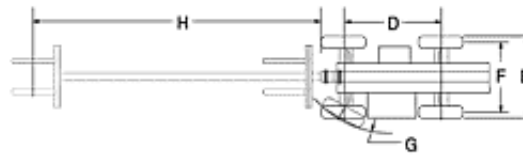
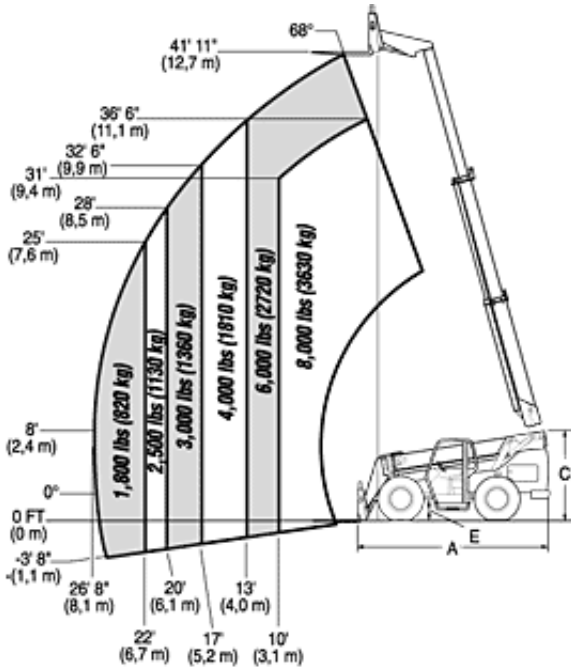


**Model Info | Load Charts**

Load ratings are in compliance with ASME B56.6b - 1992 stability requirements for rough terrain forklifts. Cab meets ASME B56.6-1992 ROPS/FOPS requirements.



Dimensions	
A. Length (less forks)	225.2" (5720 mm)
B. Width	98.2" (2494 mm)
C. Height	99.4" (2525 mm)
D. Wheelbase	119.5" (3035 mm)
E. Ground clearance	17.3" (440 mm)
F. Tread	84" (2134 mm)
G. Turning clearance	13' (4,0 m)
H. Max reach from front tires to 24" (609 mm) load center	26' 8" (8,1 m)